

IFPS fire penetration seals

acc. to EN 45545-3, single



Fire penetration seals for certified [icotek BS cable entry components](#), approved for use in [railway technology](#) (meeting the standards EN 45545-2, EN 45545-3 and EN 1363-1).

The intumescent (foaming) IFPS fire penetration seals which are mounted at the backside of the cable entry components consist of expandable graphite and increase their volume by a multiple in case of a fire. This creates a barrier which prevents a penetration of flames and high heat from one room into another for the longest possible period.

Based on the standards EN 45545-3 and EN 1363-1 icotek cable entry systems have been tested on "E45" and "EI30" in vertical alignment using mounted IFPS fire penetration seals. All tested products have been successfully certified using only one layer of fire penetration seals.

Furthermore, conventional cables instead of fire-resistant railway cables have been used for the testing.

Also available: IFPS fire penetration seal stripe, 900 x 17 x 2.7 mm, self-adhesive

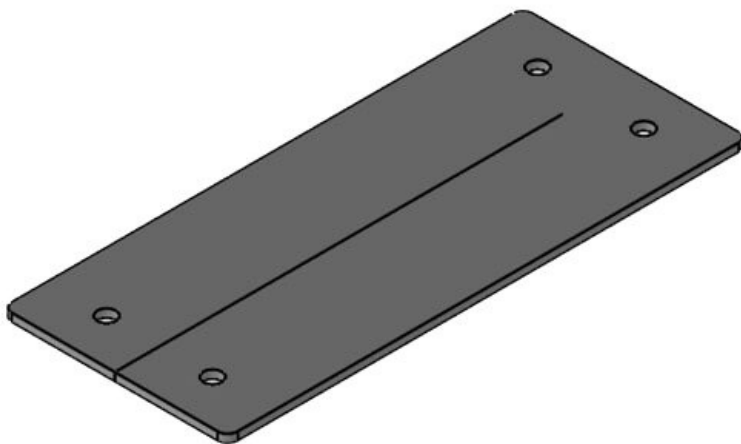
Specifications

Material	Graphite
Properties	intumescent (foaming), halogen free, silicone free

Advantages & benefits

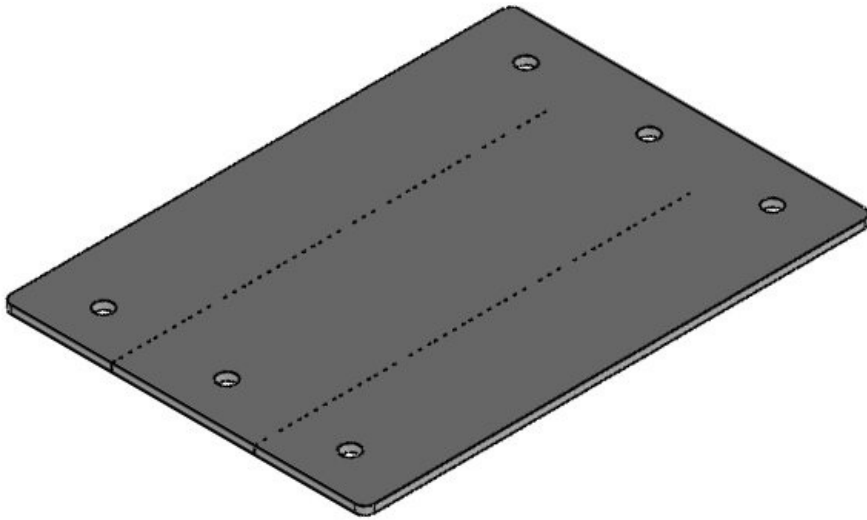
Product types & sizes

IFPS 24



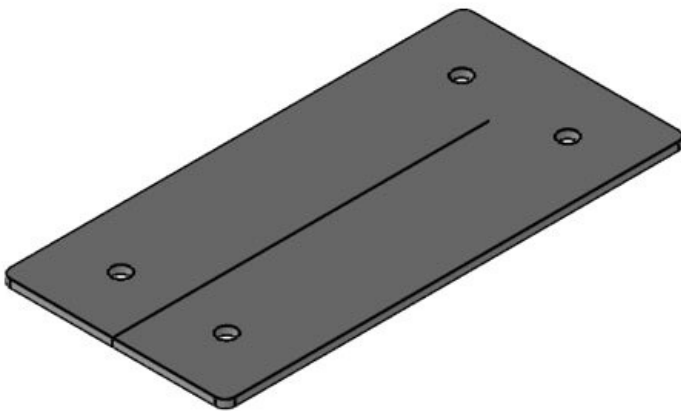
Part No.	99300	Cut-out size	112 x 36 mm
EAN	4251269318	No. of screw holes	4
Package quantity	375	Diam. of screw holes	5,5 mm
Length	157 mm		
Width	68 mm		
Height	2,5 mm		
Mounting height	2,5 mm		

IFPS 24-MT



Part No.	99312	No. of screw	6
EAN	4251269323	holes	
	362	Diam. of screw	5,5 mm
Package quantity	1	holes	
Length	157 mm		
Width	112 mm		
Height	2,5 mm		
Mounting height	2,5 mm		

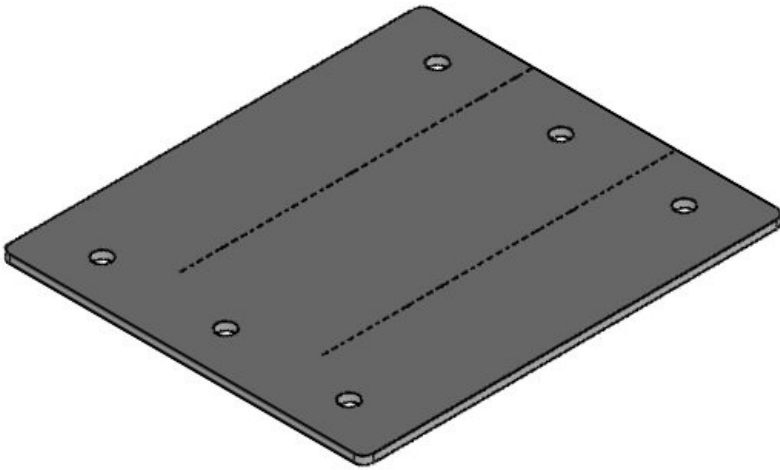
IFPS 16



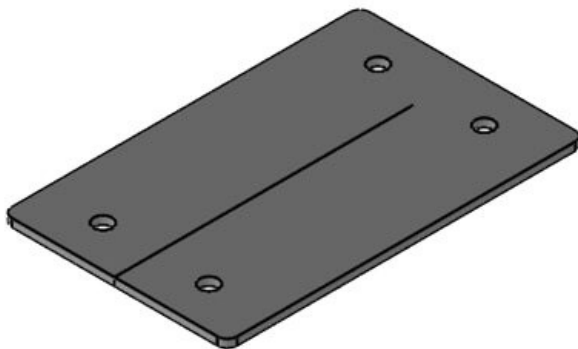
Part No.	99301	Cut-out size	86 x 36 mm
EAN	4251269318	No. of screw	4
	382	holes	
Package quantity	1	Diam. of screw	5,5 mm
Length	140 mm	holes	
Width	68 mm		
Height	2,5 mm		
Mounting height	2,5 mm		

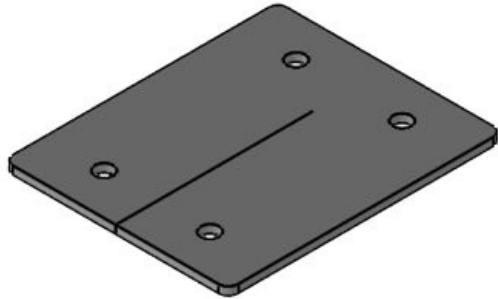
IFPS 16-MT

Part No.	99314	No. of screw	6
EAN	4251269323	holes	
	966	Diam. of screw	5,5 mm
Package quantity	1	holes	
Length	130 mm		
Width	112 mm		
Height	2,5 mm		
Mounting height	2,5 mm		

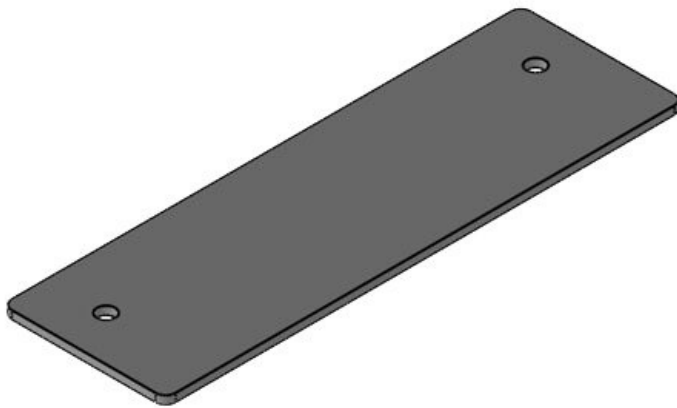
**IFPS 10**

Part No.	99306	Cut-out size	65 x 36 mm
EAN	4251269322	No. of screw	4
	280	holes	
Package quantity	1	Diam. of screw	5,5 mm
Length	108 mm	holes	
Width	68 mm		
Height	2,5 mm		
Mounting height	2,5 mm		



IFPS-B

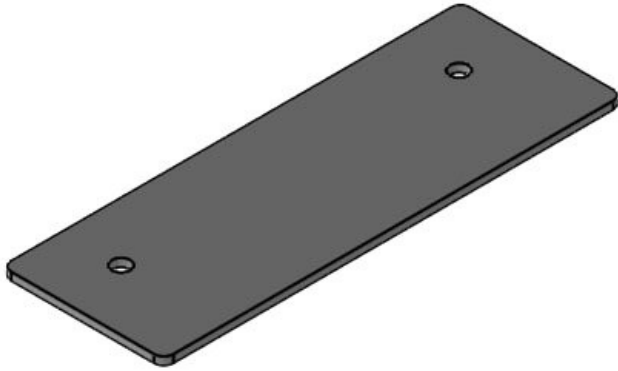
Part No.	99305	Cut-out size	46 × 46 mm
EAN	4251269319075	No. of screw holes	4
Package quantity	1	Diam. of screw holes	5,5 mm
Length	83 mm		
Width	68 mm		
Height	2,5 mm		
Mounting height	2,5 mm		

IFPS-E5

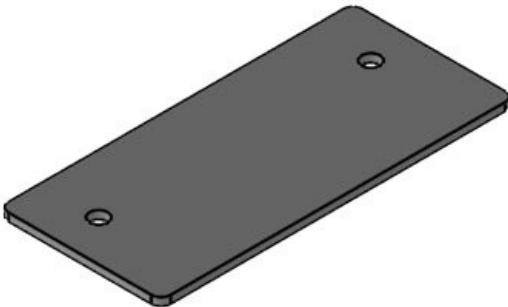
Part No.	99302	Cut-out size	112 × 24 mm
EAN	4251269318399	No. of screw holes	2
Package quantity	1	Diam. of screw holes	5,5 mm
Length	157 mm		
Width	49,5 mm		
Height	2,5 mm		
Mounting height	2,5 mm		

IFPS-E4

Part No.	99309	Cut-out size	86 × 24 mm
EAN	4251269321702	No. of screw holes	2
Package quantity	1	Diam. of screw holes	5,5 mm
Length	140 mm		
Width	49,5 mm		
Height	2,5 mm		
Mounting height	2,5 mm		

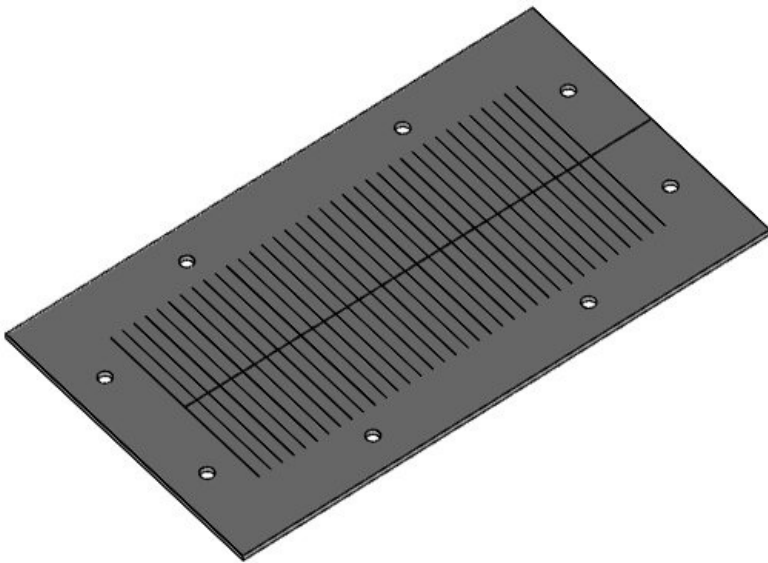
**IFPS-E3**

Part No.	99308	Cut-out size	65 × 24 mm
EAN	4251269321696	No. of screw holes	2
Package quantity	1	Diam. of screw holes	5,5 mm
Length	108 mm		
Width	49,5 mm		
Height	2,5 mm		
Mounting height	2,5 mm		





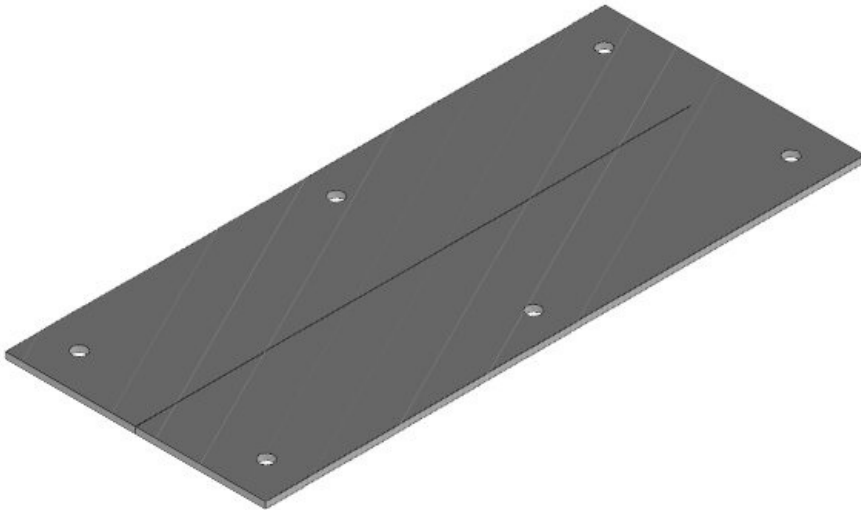
Part No.	99307	Cut-out size	43 × 24 mm
EAN	4251269321689	No. of screw holes	2
Package quantity	1	Diam. of screw holes	5,5 mm
Length	83 mm		
Width	49,5 mm		
Height	2,5 mm		
Mounting height	2,5 mm		



Part No.	99311	Cut-out size	180 × 80 mm
EAN	4251269325670	No. of screw holes	8
Package quantity	1	Diam. of screw holes	5,5 mm
Length	232 mm		
Width	130 mm		
Height	2,5 mm		
Mounting height	2,5 mm		

IFPS KX/KL

Part No.	99315	Cut-out size	192 × 62 mm
EAN	4251269324	No. of screw holes	6
Package quantity	1	Diam. of screw holes	5,5 mm
Length	231 mm		
Width	100 mm		
Height	2,5 mm		
Mounting height	2,5 mm		



IFPS fire penetration seal stripe

Part No.	99303
EAN	4251269318
Package quantity	1
Length	900 mm
Width	17 mm
Height	2,7 mm

